



M/V TRAVELLER

9204726 / Marshall Islands / 2000

GENERAL

- IMO: 9204726
- Flag: Marshall Islands
- Build: 2000
- Call Sign: V7A5974
- Class: General Cargo Carrier, Ice class 1C
- Shipbuilder: HUDONG ZHONGHUA Shipbuilding Group

TONNAGE

- DWT: about 8.729 mt
- GT/NT: 6.714/2.888
- GT/NT Suez: 6.656/4.861
- GT/NT Panama: 23.362 cbm/6.108

DIMENSIONS

- LOA: 100,50 m
- LBP: 96,50 m
- Draft summer SW: 8,20 m
- Breath moulded: 20,40 m

HOLDS

- Number of holds: 1
- Tweendeck: 64,2 x 15,3 m
- Lower hold: 45,2 x 15,3/10,1/5,1 m
- Total height: 11,72 m

HATCHES

- Weather deck: 64,4 x 15,3 m
- Tween deck: 64,4 x 15,3 m
- Steel pontoons: 6.4 x 15.3 m (9 pontoons, lift away, non sequential)
6.4 x 10.0 m (1 pontoon)

CAPACITY

- Grain/Bale: 10.530/9.720 m³
tweendeck not installed

TANK TOP STRENGTHS

- Tanktop: 15,0 mtons/m²
- Tween deck: 3,0 mtons/m²
- Hatch covers: 3,0 mtons/m²

GEAR

- 2 x 275 mt
- Combinable up to 500 mt SWL subject to dimensions and hook points of unit to be carried.
- Auxiliary hoist 6,0 mt DWL

MACHINERY/PROPELLER

- Wärtsilä 8L46B, output: 7.800 kW

GENERATORS/BOWTHRUSTER

- Bowthruster: 500 kW

SPEED

- About 13,5 Knots

SPECIAL FEATURES

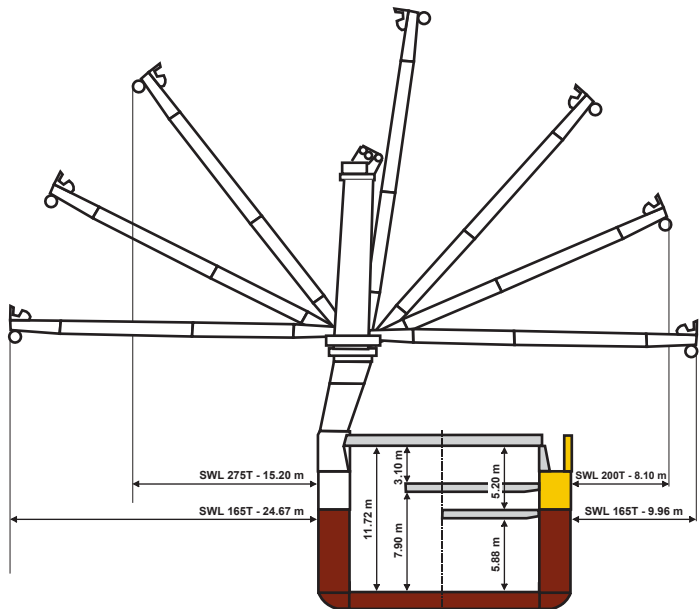
- Container capacity: 530 TEU
24 reefer plugs available
- Stability: 318 TEU at 14 mts each

(Details are believed to be correct, but are not guaranteed.)

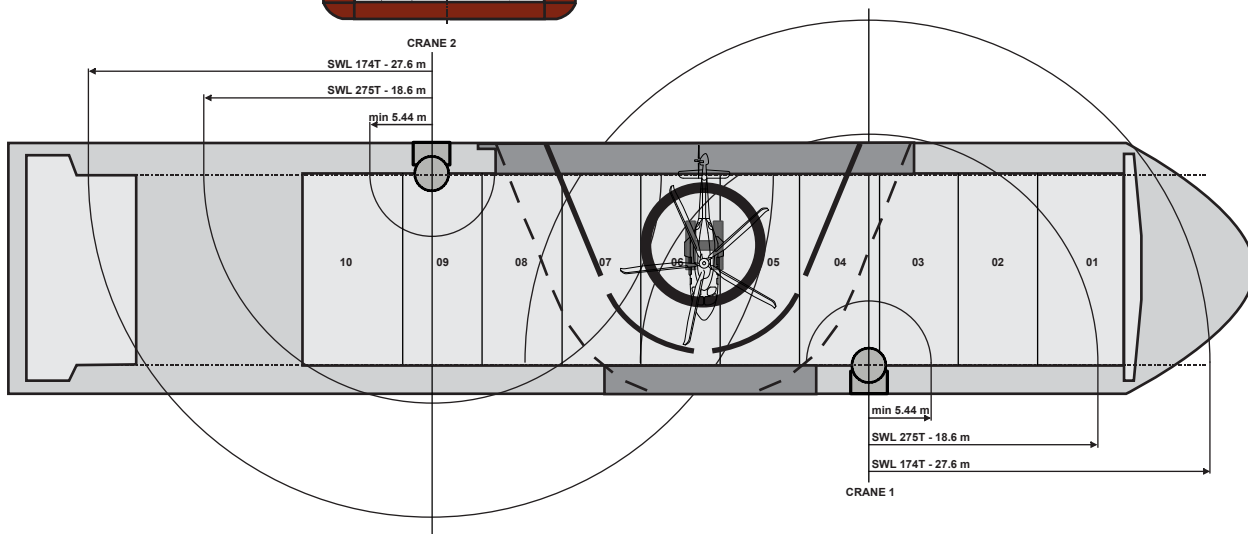
M/V TRAVELLER

Details believed to be correct, but are given without guarantee

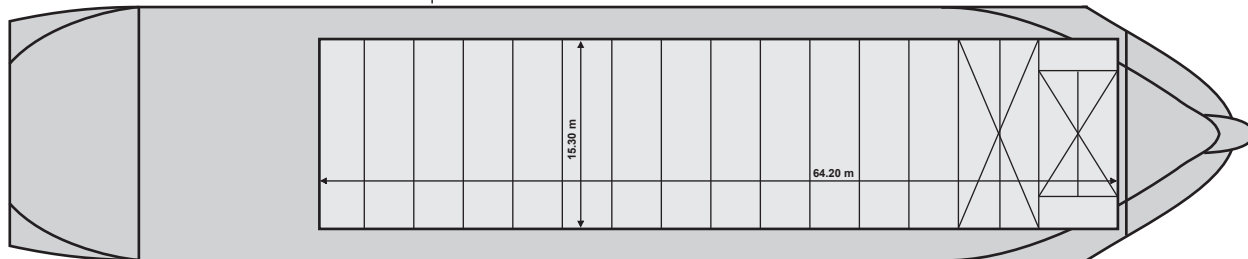
500T COMBINED LIFTING CAPACITY



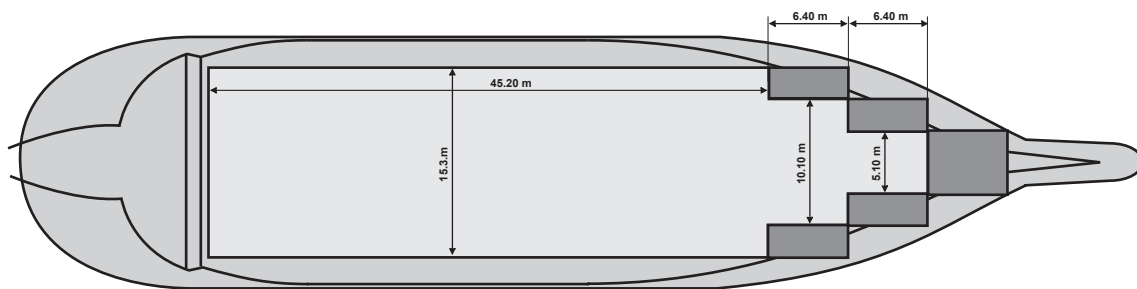
DECK



TWEEN DECK



LOWER HOLD



371 TEUS

